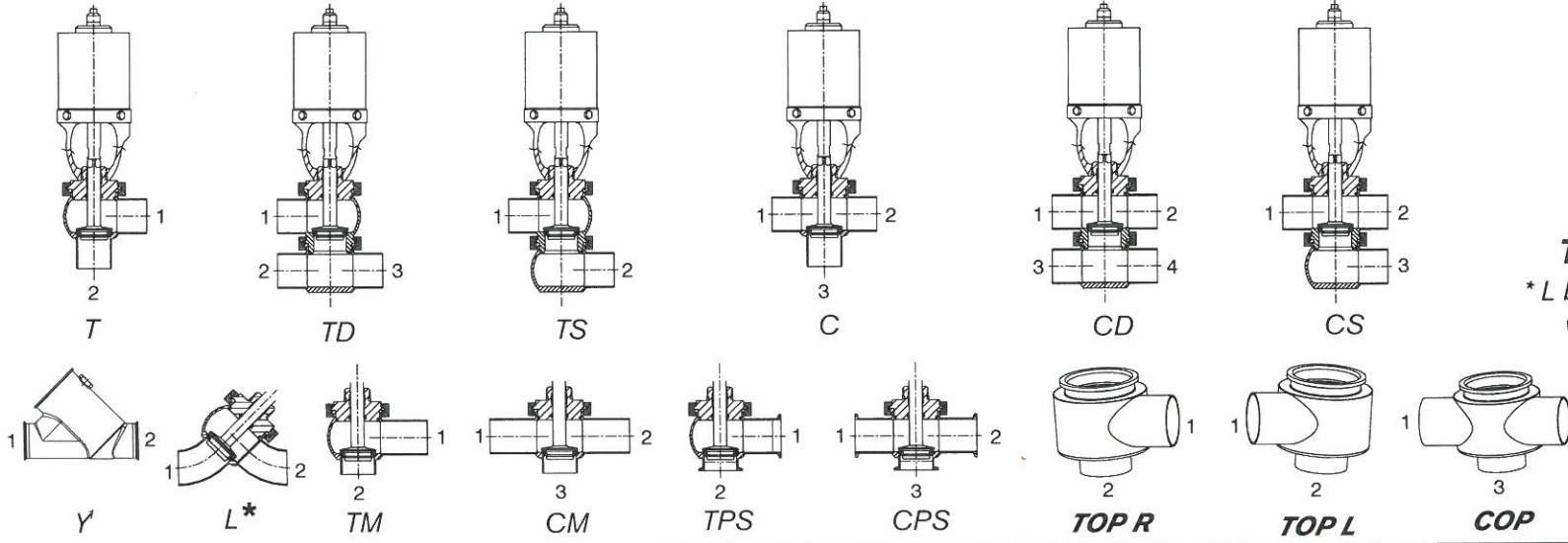


W Series Single Seat Valve Key

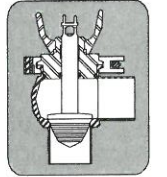


Body Configuration

W61/W81/W91 Shut-off (W68/W88/W98 Throttling)



Also Available

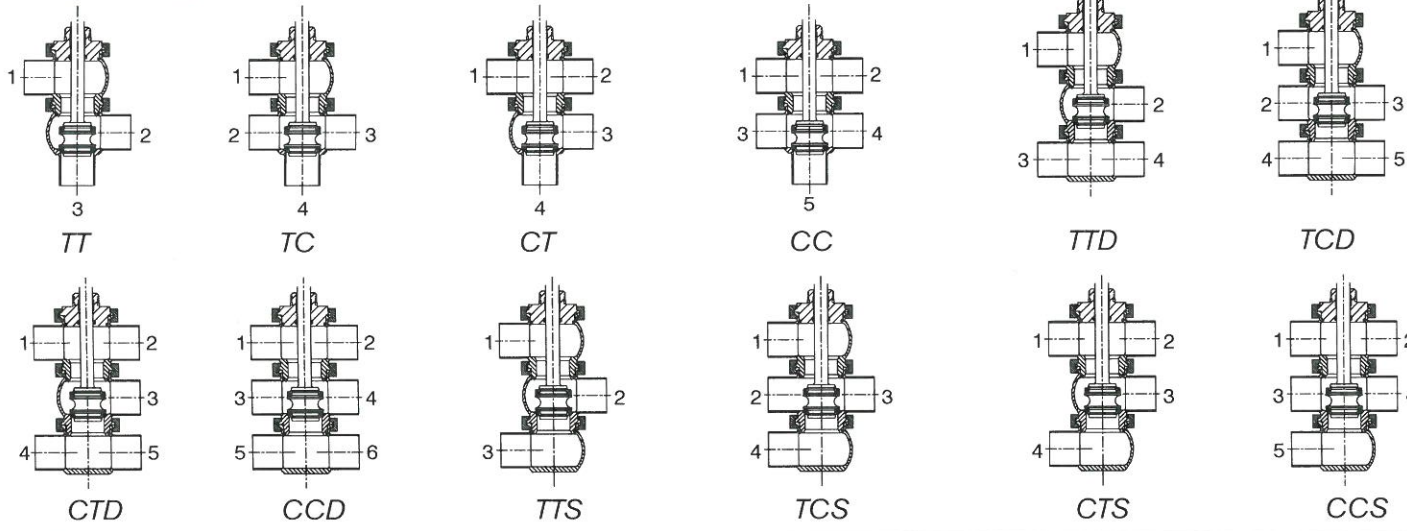


Throttling Plug

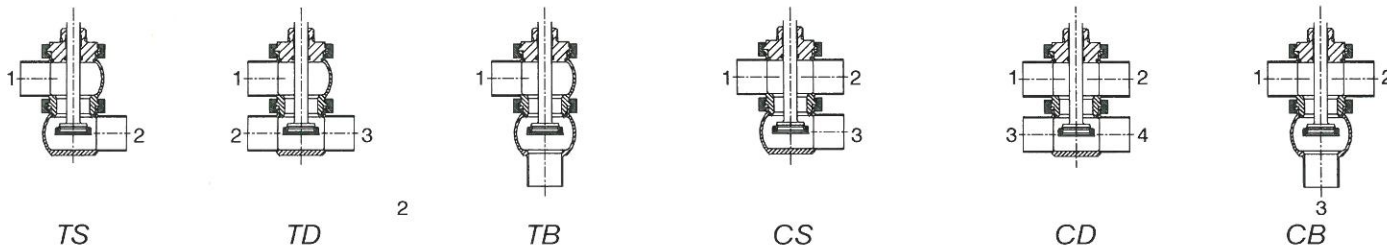
* L body only available w/ high flow CV on throttling valves

¹ Not available with 90-Series

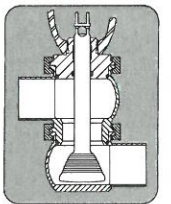
W62/W82/W92 Divert



W63/W83/W93 Shut-off (W68R/W88R Throttling)

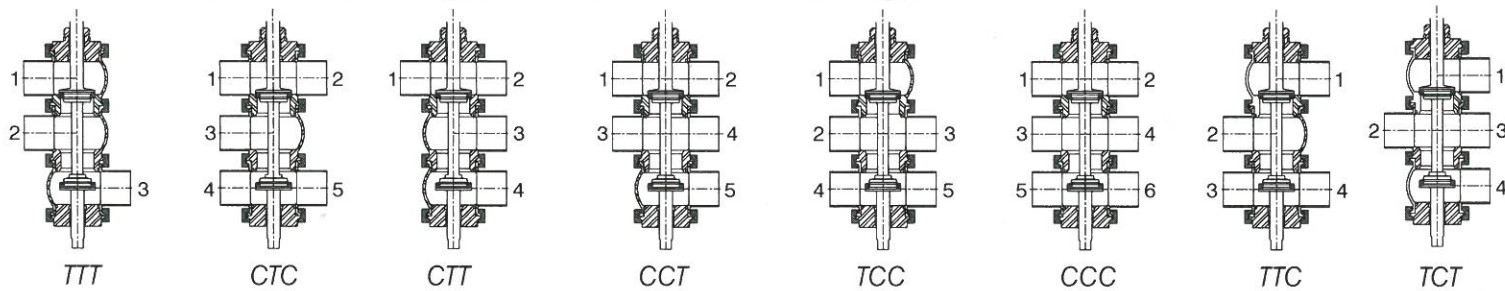


Also Available

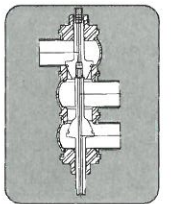


Throttling Plug

W65/W85/W95 Divert (W685/W885 Throttling)

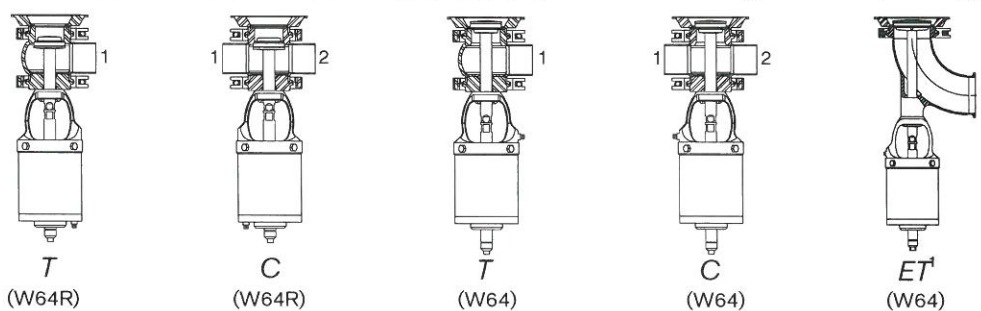


Also Available

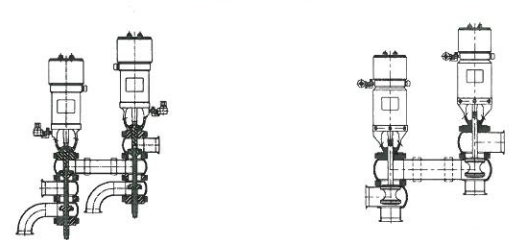


Throttling Plug

W64/W84/W94 Tank Outlet (NOTE: Tank Flanges sold separately)



W265/W285 FDV¹ W262/W282 FDV¹



Waukesha Cherry-Burrell[®]